

TC-NC43M

4MP H.265 Motorized IR Bullet Camera

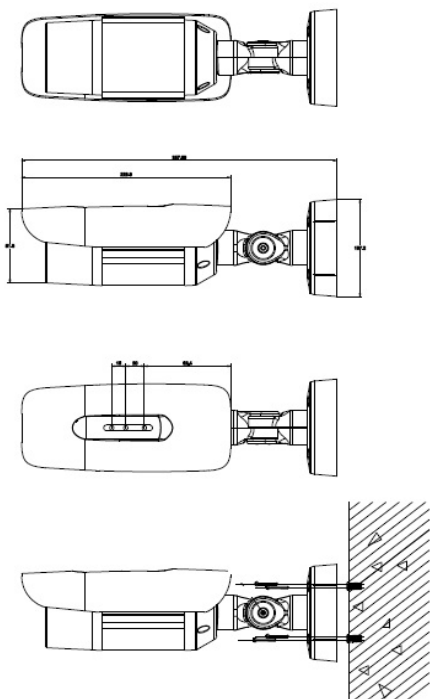
Tiandy



Features

- S+265 compression
- Up To 2560X1440@25fps
- Min. Illumination Color: 0.05 Lux, B/W: 0.01 Lux, 0 Lux with IR
- Motorized 2.8-12mm
- Mechanical WDR 120dB
- Smart IR, IR Range: 50m
- VCA Tripwire/Double Tripwire/Perimeter/Object Abandon/Object Lost/Running/Loitering/Parking/Crowd/Audio Abnormal Detection/Video Abnormal Detection
- Interface Audio I/O: 1/1, Alarm I/O: 2/1, Built-in Mic, Micro SD card slot up to 128G, USB, Reset Button, BNC
- TVS 6000V, Lightning/Surge Protection: (Power 2000V, RJ45 1000V), IP67
- Operating Conditions -35 °C ~ 60 °C (IR OFF) / -35 °C ~ 40 °C (IR ON), 0 ~ 95% RHG
- CE, FCC

Dimensions



Camera	
Image Sensor	1/3" CMOS
Core Processor	ARM9 Architecture
Operating System	Embedded Linux
Signal System	PAL/NTSC
Min. Illumination	Color: 0.05 Lux @(F1.4, AGC ON) B/W: 0.01Lux @(F1.4, AGC ON); 0 Lux with IR
Shutter Time	1s to 1/100,000s
Lens	Motorized 2.8-12mm, Angle of View: 90.8°~32.1°
Lens Mount	φ14
Auto Iris	DC Drive
Day& Night	Dual IR Cut Filter with Auto Switch
WDR	120 dB
DNR	3D
Focus	Auto
S/N Ratio	>60dB
Compression Standard	
Video Compression	S+265/H.265/H.264/H.264M/H.264B/MJPEG
Video Bit Rate	32Kbps~16Mbps
Audio Compression	G.711AG.711U/ADPCM/AAC
Audio Bit Rate	G711 8KHz, 64kbps ADPCM 8KHz, 32kbps AAC 48KHz, 96-320kbps
Image	
Max. Image Resolution	2560X1440
Frame Rate	PAL: 1440p@25fps, QXGA@25fps, 1080p@25fps, 960p@25fps, NTSC: 1440p@25fps, QXGA@30fps, 1080p@30fps, 960p@30fps, Mainstream: 1440P(2560*1440)
Triple Stream	Substream: D1(704*576) 3rd stream: CIF(352*288)
Image Settings	Brightness, Saturation, Contrast, Sharpness, Image enhancement, Flip
HLC	Y
Smart Defog	Y
Corridor	Y, Available for 720P and Above
EIS	Y
ROI	4 Zones
Privacy Mask	4 Zones
Picture Overlay	200 × 200, BMP 24bit, Zone Configurable
OSD	16×16, 32×32, 24×24, 48×48, 64×64, 96×96 Size Letters Such as Week, Date, Time, Total 5 Regions
Network	
Browser	CHROME V45 or lower, IE, FIREFOX
Network Storage	FTP
NTP	Y
ANR	Y
Video Analytics(VCA)	Tripwire/Double Tripwire/Perimeter/Object Abandon/Object Lost /Running/Loitering/Parking/Crowd/Audio Abnormal Detection/ Video Abnormal Detection
Alarm Trigger	Motion Detection/IP Conflict/MAC Conflict/Port Alarm/Mask Alarm
Protocols	IPV4/IPV6/HTTP/802.1x/FTP/SNMP/UPnP/SNMP/DNS/DDNS/ICMP/IGMP /NTP/RTSP/TCP/UDP/DHCP/PPPoE/HTTPS/ARP/RTP/QoS/MULTICAST
User Permission	4 Level/8 Users
Remote Connection	5 Users Access at the Same Time
System Compatibility	ONVIF (Profile S), SDK, CGI
Interface	
Audio Input	1-ch
Audio Output	1-ch
Communication Interface	1-ch RJ45 10M / 100M Ethernet Interface
Alarm Input	2-ch
Alarm Output	1-ch
Video Output	1-ch Vp-p Composite Output (75 Ω, BNC, for internal setup)
On-board Storage	MicroSD Card Slot, up to 128GB
Reset Button	Y
Extension	1x USB
General	
Language	English, Spanish, Korean, Italian, Turkish, Thai, Russian, Traditional Chinese, Simplified Chinese, Polish, French
Operating Conditions	-35 °C ~ 60 °C (IR OFF) / -35 °C ~ 40 °C (IR ON), 0 ~ 95% RHG
Power Supply	DC 12 V ± 20%, PoE (802.3af)
Power Consumption	Max. 5W (IR OFF) (ICR Instant Switch 12W) Max. 7.5W (IR ON)
Circuit Protection	TVS 6000V, Lightning/Surge Protection: (Power 2000V, RJ45 1000V)
Impact Protection	IP67
IR Range	30-50m
IR LEDs	54pcs φ5 Array IR LEDs
Dimensions	337mm×107mm×107mm
Weight	1.3KG (IP Camera Only); 1.6KG (with Packing Box)
S+265:	Tiandy enhanced H.265 codec
ANR:	Auto store video in SD card when NVR disconnected, and upload video to NVR when resumed connection (Only Support Tiandy ANR NVR)

* The latest product information / specification can be found at <http://en.tiandy.com/>



Tiandy Digital Technology Co., Ltd. | en.tiandy.com

Add: No.8, Huake Rd2, Binhai Hi-Tech Industry(Huayuan), Tianjin 300384 China

Tel: +86-22-58596037 Email: sales@tiandy.com

